

DWAU6214X2

SMEG STAINLESS STEEL UNDERBENCH DISHWASHER



ORBITAL WASH SYSTEM

Smeg's orbital wash system has a major spray arm and satellite spray arm which spins ten times for every single revolution of the major spray arm to ensure water is thoroughly distributed in-between every piece in the wash for exceptional results.



CHILD SAFETY LOCK

A must for families with young children, Smeg has developed an electronic system for locking the dishwasher controls. Children can press the buttons without interrupting the wash program

EAN 8017709278700

Size	598mmW x 570mmD x 818-888mmH max
Capacity	14 Place settings
Finish	Stainless steel
Display	No
Programs	5
End of cycle indicator	Acoustic signal
Baskets	2 Levels
Wash system	Orbital Wash System
Water softener	No
Temperatures	45°, 50°, 65°, 70°C
Features	FlexiTabs Self balancing hinges
Water connection	Hot or cold Water Connection (60°C Max)
Timer	3-6-9 hours, with automatic soak
Filtration	Stainless steel 5 stage filter
Drying	Natural condenser drying
Safety	Child safety system (door lock) Total Acquastop
Noise	49dBA
Water usage	11.3 Litres
Power	1800 W 220-240V 50/60Hz 10A



ACTIVE ACQUASTOP

Active Acquastop electronically determines when and how much water to let into the dishwasher, automatically controlling the water feed at the tap. It's a major advantage of a Smeg dishwasher, because there is no water in the hose and therefore no building water pressure, where problems most often occur. Active Acquastop is one of five distinctive water safety and flood prevention features in all Smeg dishwashers.



5-STAGE FILTRATION SYSTEM

The ultimate dishwasher filtration system maintains a high quality wash by trapping food, thus preventing it from entering the wash system.



DELAY TIMER

Every Smeg dishwasher has a delay start option, which allows you to operate the machine during periods of off-peak or lower energy tariffs. The combination of excellent water and energy savings combined with time of use can ensure much lower running costs.

Functions



Flexitab



Delay

Programs



soak



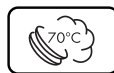
Normal ECO



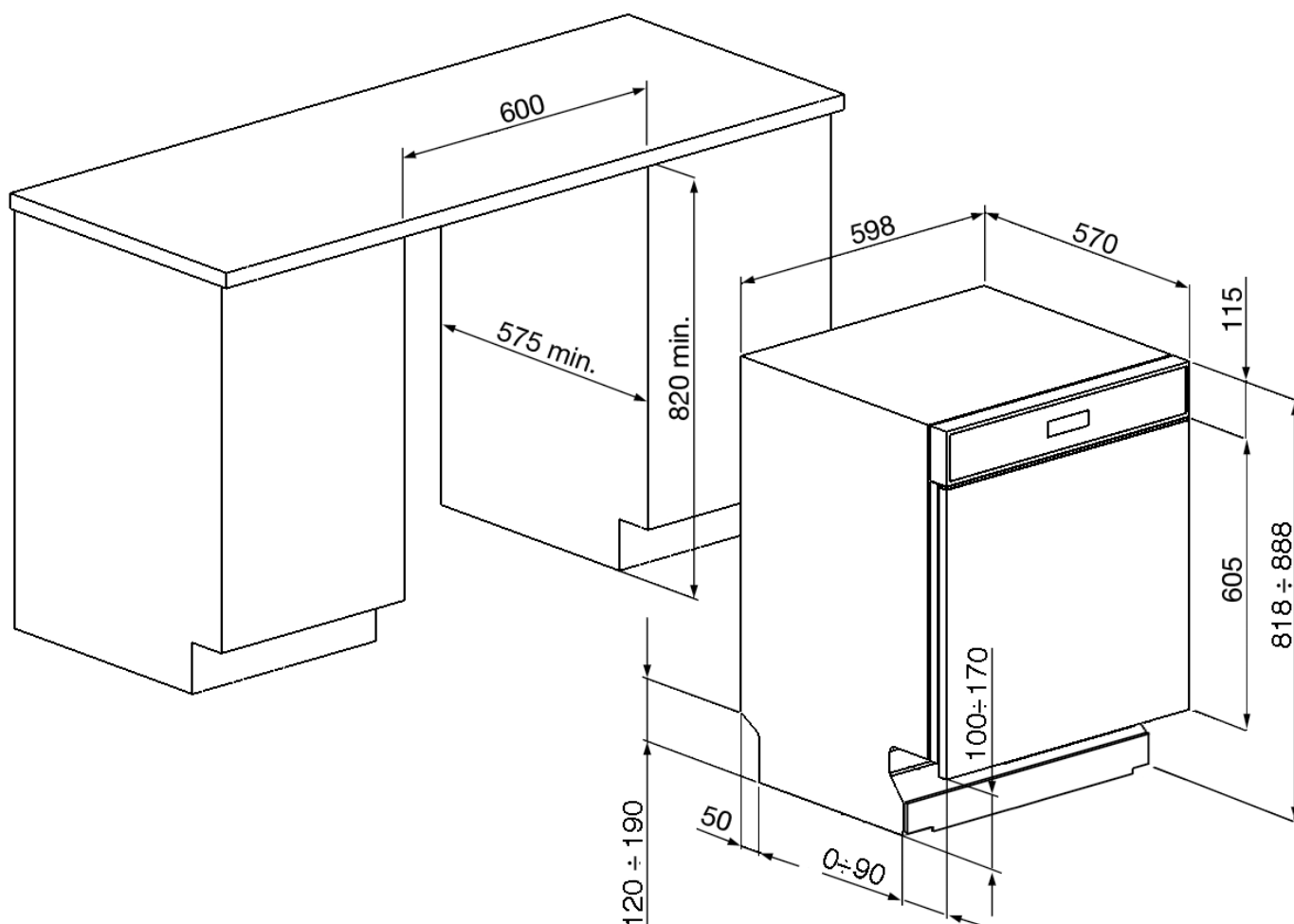
Eco



Intensive 65°



Ultraclean



PLEASE NOTE: drawings are not to scale. They are to assist only.

WARNING: technical specifications and product sizes can be varied by the manufacturer without notice.

Cutouts for appliances should only be by physical product measurements. The above information is indicative only.